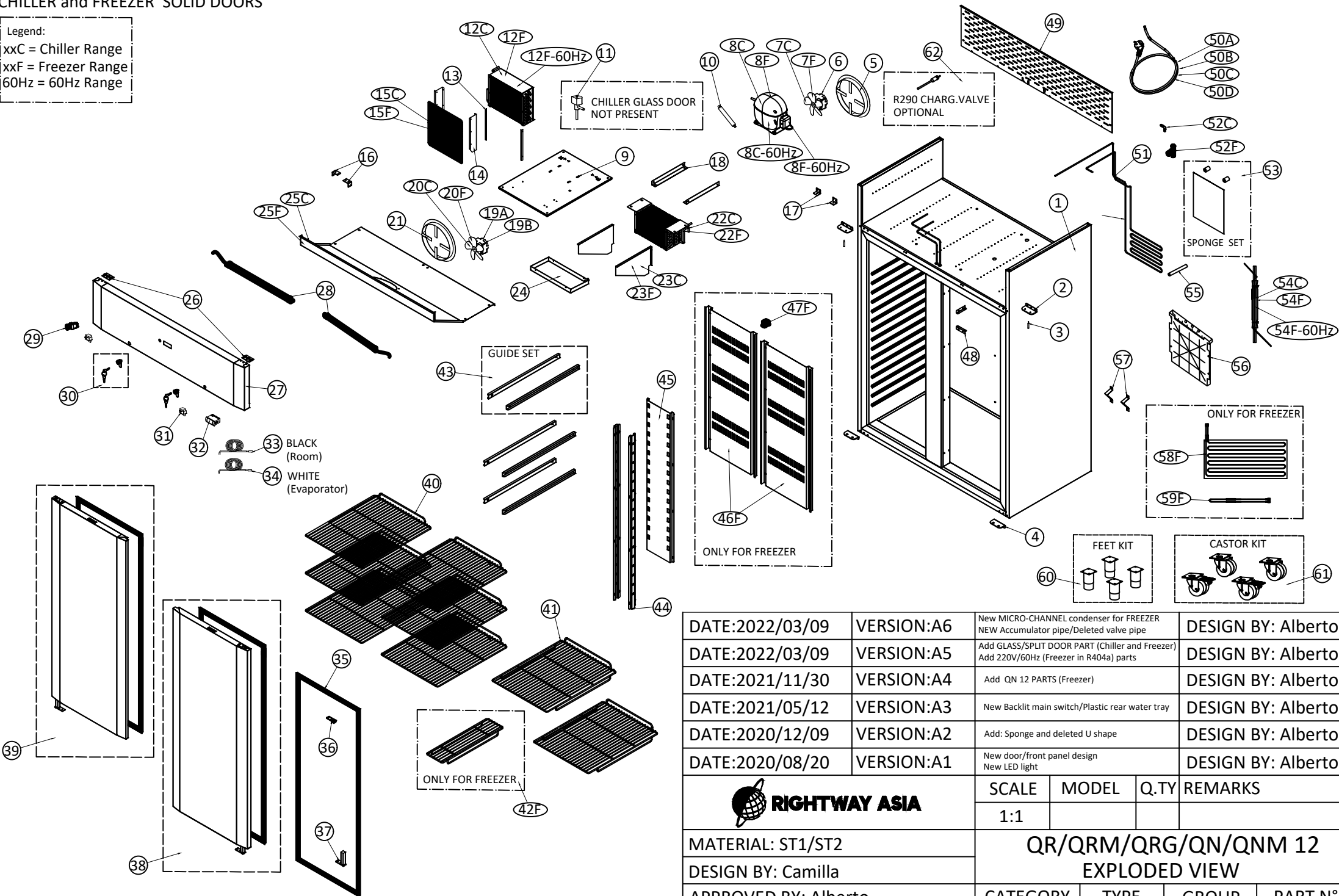


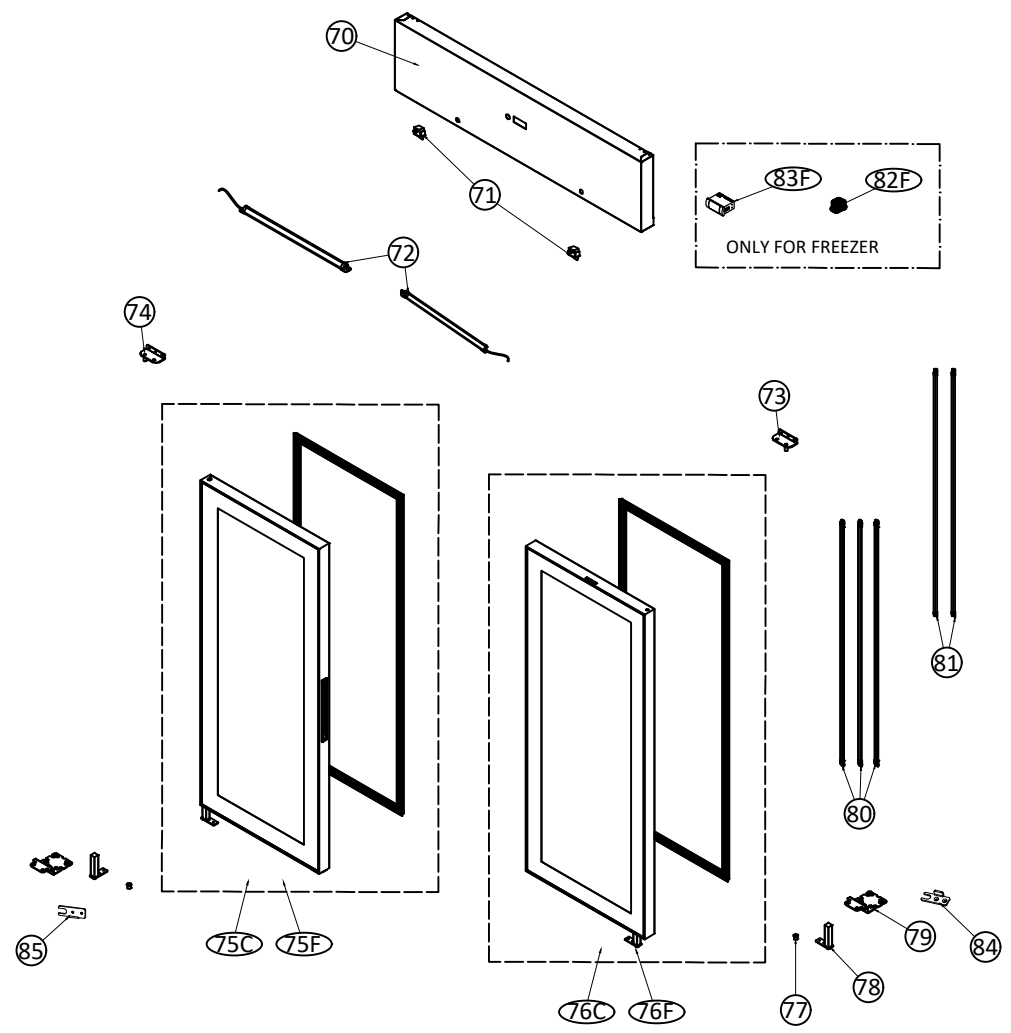
CHILLER and FREEZER SOLID DOORS

Legend:
 xxC = Chiller Range
 xxF = Freezer Range
 60Hz = 60Hz Range

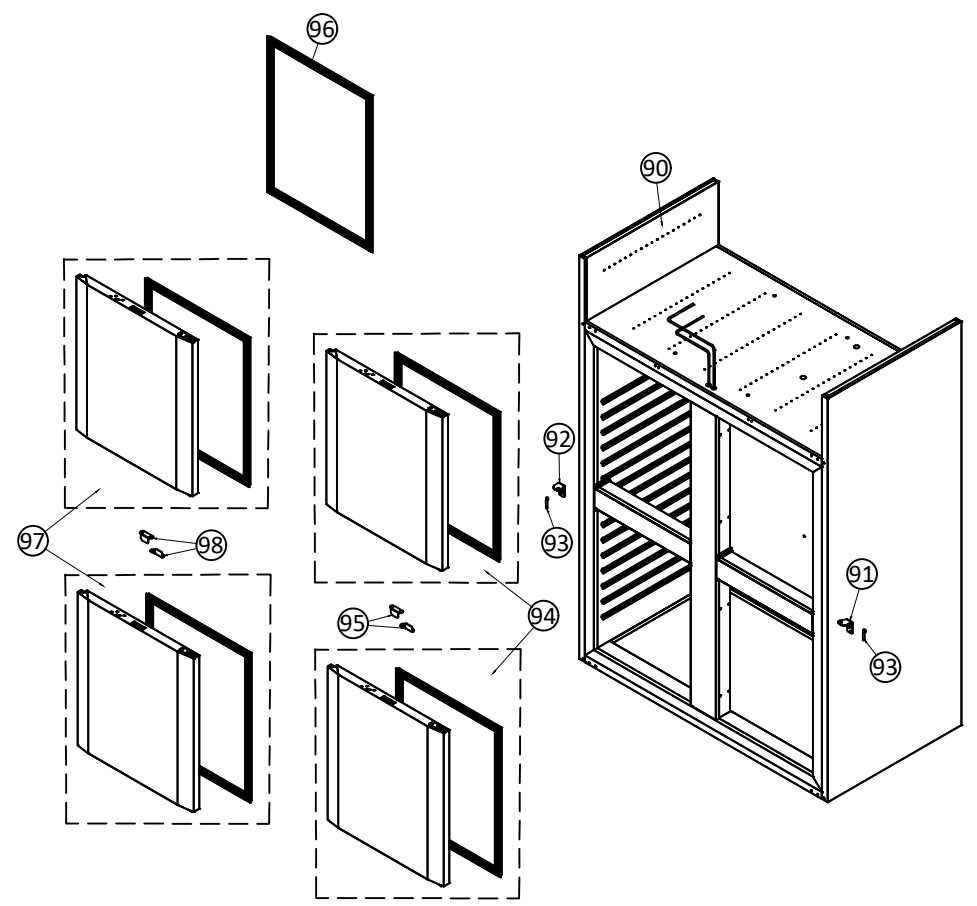


DATE:2022/03/09	VERSION:A6	New MICRO-CHANNEL condenser for FREEZER NEW Accumulator pipe/Deleted valve pipe	DESIGN BY: Alberto		
DATE:2022/03/09	VERSION:A5	Add GLASS/SPLIT DOOR PART (Chiller and Freezer) Add 220V/60Hz (Freezer in R404a) parts	DESIGN BY: Alberto		
DATE:2021/11/30	VERSION:A4	Add QN 12 PARTS (Freezer)	DESIGN BY: Alberto		
DATE:2021/05/12	VERSION:A3	New Backlit main switch/Plastic rear water tray	DESIGN BY: Alberto		
DATE:2020/12/09	VERSION:A2	Add: Sponge and deleted U shape	DESIGN BY: Alberto		
DATE:2020/08/20	VERSION:A1	New door/front panel design New LED light	DESIGN BY: Alberto		
		SCALE	MODEL	Q.TY	REMARKS
		1:1			
MATERIAL: ST1/ST2		QR/QRM/QRG/QN/QNM 12 EXPLODED VIEW			
DESIGN BY: Camilla					
APPROVED BY: Alberto		CATEGORY	TYPE	GROUP	PART N°
DATE:2020/08/19		EV	1CT6	A6	1600

CHILLER and FREEZER GLASS DOORS



CHILLER and FREEZER SPLIT DOORS



DATE:2022/03/09	VERSION:A6	New MICRO-CHANNEL condenser for FREEZER NEW Accumulator pipe/Deleted valve pipe	DESIGN BY: Alberto		
DATE:2022/03/09	VERSION:A5	Add GLASS/SPLIT DOOR PART (Chiller and Freezer) Add 220V/60Hz (Freezer in R404a) parts	DESIGN BY: Alberto		
DATE:2021/11/30	VERSION:A4	Add QN 12 PARTS (Freezer)	DESIGN BY: Alberto		
DATE:2021/05/12	VERSION:A3	New Backlit main switch/Plastic rear water tray	DESIGN BY: Alberto		
DATE:2020/12/09	VERSION:A2	Add: Sponge and deleted U shape	DESIGN BY: Alberto		
DATE:2020/08/20	VERSION:A1	New door/front panel design New LED light	DESIGN BY: Alberto		
		SCALE	MODEL	Q.TY	REMARKS
		1:1			
MATERIAL: ST1/ST2		QR/QRM/QRG/QN/QNM 12 EXPLODED VIEW			
DESIGN BY: Camilla					
APPROVED BY: Alberto		CATEGORY	TYPE	GROUP	PART N°
DATE:2020/08/19		EV	1CT6	A6	1600

Item Descr	QR 12					
BOM Num	1					
Build Quar	1					
Fixed Cost	0					
Remark						
Unit	pc					
BOM Components						
Lev. 0	Item Number	Descr	Quantity	u.m.	Spare Part	
	EV1CT6A61600	QR/QRM/QN/QNM 12_QRG/QNG 12 - EXPLODED VIEW DR.(Ver.A6-S16)	1	pc	1	
1	S11CT60A0001	QR 12/QN 12 - ASSEMBLED FOAMED BODY - (S16)	1	pc	1	
2	Z01CT02A0003	QR/QN 3-6-12 Ser. - UPPER DOOR HINGE - (SOLID DOOR - S16)	2	pc	1	
3	S11CK82A0005	STATIC/VENT. - QR/QN 3-4-6-12 - PIVOT FOR UPPER HINGE-(S16)	2	pc	1	
4	Z01CT02A0004	QR/QN 3-6-12 Ser. - BOTTOM DOOR HINGE - (S16)	2	pc	1	
5	Z01CK83A0006	STATIC/VENTILATED QR/QN 6-12 - CONDENSER FAN HOLDER - (S16)	1	pc	1	
6	E17A1A100900	M4Q045-CA03-51 EBM FAN:230VAC,50/60Hz,30/40°C,1,2Kg	1	pc	1	
C-CHILLER	E181A2002801	EBMPAPTS FAN BLADE D.200mm-28*; 300 M3/h	1	pc	1	
F-FREEZER	E181A2302801	EBMPAPTS FAN BLADE D.230mm-28*; 630 M3/h	1	pc	1	
C-CHILLER	E27B2U4W0000	FNK90LML COMP.WANBAO R290 - 220/240V 50Hz- 5/8 HP CSR:	1	pc	1	
F-FREEZER	E27B2Q4E0001	NTX2211U COMP.EMBRACO R290-220/240V 50Hz-1.25 HP CSCR:	1	pc	1	
LER (60HZ)	E27A2L2W0000	FTK80X COMP.WANBAO R290-220/240V 50/60Hz-2/5 Hp RSCR:	1	pc	1	
ZER (60HZ)	E27A4P4E0000	NT2178GK-922EN04 COM.EMBRACO R404a-220/240V 50/60Hz-1 HP-CSR	1	pc	1	
9	Z01CT03A0001	QR/QN 6 - QR/QN 12 Ser. - ENGINE PLATE - (S16)	1	pc	1	
10	C01CK86A0003	STATIC/VENT.-QR/QN 6-12 - DRIER FILTER Type B (25g - S16)	1	pc	1	
11	E421CL9SV001	FD-2A - SOLENOID VALVE	1	pc	1	
C-CHILLER	C01CT08A0001	CONDENSER Type C: COPPER FINS - (QR/QN 4-6 and QR12 - S16)	1	pc	1	
AO/(60HZ)	C01CT98A0001	CONDENSER Type D: COPPER FINS - (QN 12 - Until Ver.A0 - S16)	1	pc	1	
ER VER.A1	A01CT98A0003	CONDENSER Type E: MICRO-CHANNEL (QN 12 - From Ver.A1 - S16)	1	pc	1	
13	Z01CT08A0002	QR/QN 4-6-12 Ser.-HOLDER FOR CONDENSER FILTER - (S16)	2	pc	1	
14	Z01CT08A0003	QR/QN 4-6-12 Ser. - WIND GUARD FOR CONDENSER - (S16)	2	pc	1	
C-CHILLER	N01CT08A0004	QR/QN 4-6 and QR 12 Ser. - CONDENSER FILTER - (S16)	1	pc	1	
AO/(60HZ)	N01CT98A0002	QN 12 Ser. - CONDENSER FILTER (Until Ver.A0 - S16)	1	pc	1	
ER VER.A1	N01CT98A0004	QN 12 Ser. - CONDENSER FILTER (From Ver.A1 - S16)	1	pc	1	
16	Z01CT03A0002	QR/QN 3-6-12 Ser. - HINGE FIXING PART - (S16)	4	pc	1	
17	Z01CT01A0002	QR/QN Cabinet - FRONT PANEL BOTTOM HOLDER STANDARD - (S16)	2	pc	1	
18	S11CT07A0006	QR/QN 6 - 12 Ser. - INNER EVAPOR.LATERAL SUPPORT - (S16)	2	pc	1	
19A	E17A6A230700	iQC3612-040111/A02 EBM FAN:2220-240V,50/60Hz	1	pc	1	
19B	E17D1C120000	ECM C12-10-02 ELCO FAN: 230V ;50/60Hz; CABLE LENGHT 300mm	1	pc	1	
C-CHILLER	E181A2002801	EBMPAPTS FAN BLADE D.200mm-28*; 300 M3/h	1	pc	1	
F-FREEZER	E181A2302801	EBMPAPTS FAN BLADE D.230mm-28*; 630 M3/h	1	pc	1	
21	Z01CL97A0008	VENT.Range- QR/QN 4-6-12/QN 3 - EVAPORATOR FAN HOLDER -(S16)	1	pc	1	
C-CHILLER	C01CT07A0001	QR/QN/QRG/QNG 6 - QR/QRG 12 Ser. - COATED EVAPORATOR - (S16)	1	pc	1	
F-FREEZER	C01CT97A0001	QN/QNG 12 Ser. - COATED EVAPORATOR - (S16)	1	pc	1	
C-CHILLER	S11CT67A0003	QR 12 - EVAPORATOR WIND GUARD - (S16)	2	pc	1	
F-FREEZER	S11CT97A0004	QN 12 - EVAPORATOR WIND GUARD - (S16)	2	pc	1	
24	S21CT07A0011	QR/QN 4-6 and QR/QN 12 Ser. - EVAPORATOR WATER TRAY - (S16)	1	pc	1	
C-CHILLER	S11CT67A0002	QR 12 - UPPER EVAPORATOR COVER - (S16)	1	pc	1	
F-FREEZER	S11CT97A0003	QN 12 - UPPER EVAPORATOR COVER - (S16)	1	pc	1	
26	Z01CT01A0003	QR/QN 3-4-6-12 Ser. - FRONT PANEL UPPER HINGE - (S16)	2	pc	1	
27	S11CT61A0002	QR/QN 12 - FRONT PANEL Type B (WITH SWITCH/From Ver.A3-S16)	1	pc	1	
28	E22DL1050050	LED STRIPES LAMP-220V / 3.5 W-N*14 HIGH BRIGHT	2	pc	1	
29	E2318WH00001	PS-5-22Z-FS MAIN SWITCH (4P) WHITE Light/250V-16A	1	pc	1	
30	Z01CK81A0002	STATIC/VENT. - QR/QN 3-4-6-12 - LOCK + N.2 Keys - (S16)	2	pc	1	
31	E2306WH00001	HC-050K.4 FAN/LIGHT SWITCH (3P - WHITE) 250VAC-2.5A;	2	pc	1	
32	E20A143F2D00	XR06CX-5W1T1 "FLAT" DIXELL THERM (DX-X0LIPGOXB5S2-100)	1	pc	1	
33	E212AA015B01	NTC PROBE - CABLE 1500 mm BLACK Color (Temperature)	1	pc	1	
34	E212AA015W01	NTC PROBE - CABLE 1500 mm WHITE Color for EVAPORATOR	1	pc	1	
35	R01CT02A0002	QR/QN 6 - 12 Ser. - DOOR GASKET - (S16)	2	pc	1	
36	P01CK82A0007	STATIC/VENT.- QR/QN 3-4-6-12 - DOOR SEAT FOR DOOR PIVOT(S16)	2	pc	1	
37	Z01AN22A0006	BY 460/688-QR/QN 3-4-6-12- SELF CLOSING SPRING (Solid-S16)	2	pc	1	
38	S11CT02A1001	QR/QN 6 - QR/QN 12 - RIGHT DOOR SET Type B(For Ver.A1 - S16)	1	pc	1	
39	S11CT62A1001	QR/QN 12 - LEFT DOOR SET Type B (For Ver.A1 - S16)	1	pc	1	
40	I01CLO9A0001	QR/QN 688-GE 688-QR/QN 6-12 - SHELF GN2/1 (529x650mm-S16)	6	pc	1	
41	I01CT09A0002	QR/QN 6 - 12 Ser. - BOTTOM SHELF - (S16)	2	pc	1	
F-FREEZER	I01CT99A0001	QN 12 - MIDDLE BOTTOM SHELF - (S16)	1	pc	1	
43	KITGD1CT6A00	QR/QN 12 - CENTRAL GUIDE SET"C" Form(N.1 Left+N.1 Right-S16)	3	pc	1	

44	S11CT69A0001	QR/QN 12 - FRONT/CENTRAL VERTICAL RACKS FOR GUIDE - (S16)	2	pc	1
45	S11CT69A0002	QR/QN 12 - REAR/CENTRAL VERTICAL HOLDER FOR GUIDE - (S16)	1	pc	1
F-FREEZER	S11CT97A0002	QN 12 - INNER AIR CONVEYOUR - (S16)	2	pc	1
F-FREEZER	E301CT300001	NT90TPNCE220CB - "SOLID/GLASS DOOR" ELEC.SWITCH RELAY 30A	1	pc	1
48	S11CT60A0002	QR/QN 12 - UPPER/BOTTOM CENTRAL MULLION HOLDER - (S16)	2	pc	1
49	Z01CT63A0001	QR 12/QN 12 - REAR ENGINE ROOM PLATE - (S16)	1	pc	1
50A	E25EUB315300	POWER CORD 3x1,5 mmq - EU PLUG - BLACK COLOR 3 Mt	1	pc	1
50B	E25UKB315300	POWER CORD 3x1,5 mmq - UK PLUG - BLACK COLOR 3 Mt	1	pc	1
50C	E25AUB315300	POWER CORD 3x1,5 mmq - AUSTRALIAN PLUG - BLACK COLOR 3.0 Mt.	1	pc	1
50D	E25INB315300	POWER CORD 3x1,5 mmq - INDIAN PLUG - BLACK COLOR 3.0 Mt.	1	pc	1
51	C01CT06A0003	QR/QN 4-6-12 Ser. - REAR EVAPORATION TUBE - (S16)	1	pc	1
C-CHILLER	P01CT07A0009	QR 4/6 and QR 12 Ser. - DRAINAGE ELBOW - (S16)	1	pc	1
F-FREEZER	P01CT33A0002	QN 3/4/6/12 - DRAINAGE TEE + PRESSURE VALVE - (S16)	1	pc	1
53	F11CT37A0002	SS Upright Ser.- REAR SPONGE SET (Sponge/Spacer/Screws -S16)	1	pc	1
C-CHILLER	C01CT06A0002	QR/4QR 6/QR 12 - RETURN PIPE + Capillary - (Chiller - S16)	1	pc	1
ER VER.A0	C01CT96A0002	QN 12 - RETURN PIPE + Capillary (Freezer/Until Ver.A0 - S16)	1	pc	1
ER VER.A1	C01CT96A0004	QN 12 - RETURN PIPE+Capillary+Accumulat.(Freezer/Ver.A1-S16)	1	pc	1
ZER (60HZ)	C01CT96A0003	QN 12 - RETURN PIPE + Capillary - (Freezer/R404a/60Hz - S16)	1	pc	1
55	P01CT07A0007	QR/QN 3-6-12 Ser. - DRAIN WATER PIPE - (S16)	1	pc	1
56	P01CT07A0013	QR/QN 3-4-6-12 Ser.- PLASTIC REAR EVAPORATOR TRAY (S16)	1	pc	1
57	Z01AN29A0004	UPRIGHT CABINET Ser.- REAR BODY SPACER (Black - S16)	2	pc	1
F-FREEZER	E24300354683	HEATING WIRE D.1x3.0mmq-L.4683mm-35W/Mt.	1	pc	1
F-FREEZER	E24300201000	HEATING WIRE D.1x3.0mmq-L.350mm-35W/Mt.	1	pc	1
60	KITFT1CT0A00	QR/QN 6 - 12 - FEET KIT (N.4 pc / 85mm-Min 135-Max - S16)	1	pc	1
61	KITCS1CT0A00	QR-QN 6/12 - CASTOR KIT(N.2 Brake+N.2 STD+SPACER/H 105mm)	1	pc	1
62	C01CT06A0006	R290 CHARGING VALVE - (CASTEL:8350/X03 - Core:8395/A3 - S16)	1	pc	1
70	S11CT71A0001	QRG/QNG 12 - FLAT FRONT PANEL "A"(With HOLE for SWITCH-S16)	1	pc	1
71	E2306WH00003	HC-050K.4 DOOR ALARM SWITCH (2P-WHITE) 250VAC-2.5A; (NC)	2	pc	1
72	E22DL1050051	LED STRIPES LAMP-220V, 5 W-N°14 LED (10000K)	2	pc	1
73	Z01CT12A0002	QRG/QNG 6-12 - RIGHT/UPPER HINGE for GLASS DOOR - (S16)	1	pc	1
74	Z01CT72A0002	QRG/QNG 12 - LEFT/UPPER HINGE for GLASS DOOR - (S16)	1	pc	1
C-CHILLER	P01CT72A0001	QRG 12 - LEFT GLASS DOOR SET (Gasket/Self Closing - S16)	1	pc	1
F-FREEZER	P01CU02A0001	QRG 12 - HEATED LEFT GLASS DOOR (Gasket/Self Closing - S16)	1	pc	1
C-CHILLER	P01CT12A0001	QRG 6-12 - RIGHT GLASS DOOR SET(Gasket/Self Closing - S16)	1	pc	1
F-FREEZER	P01CT42A0001	QNG 6-12 - HEATED RIGHT GLASS DOOR (Gasket/Self Closing-S16)	1	pc	1
77	N01CT12A0003	QRG/QNG 6-12 - DOOR BUSHING - (S16)	2	pc	1
78	Z01CT12A0005	QRG/QNG 6-12 - SELF CLOSING for GLASS DOOR - (S16)	2	pc	1
79	S11CT12A0004	QRG 6/12 Ser. - RIGHT/LEFT REINF.BOTTOM DOOR HINGE - (S16)	2	pc	1
80	E22DL1120050	LED STRIPES LAMP - 220VAC/12 W/(10000K)/"FLAT" Shape	3	pc	1
81	E22DL1120051	LED STRIPES LAMP - 220VAC/12 W/(10000K)/"V" Shape	2	pc	1
F-FREEZER	E301CT300002	NT90TPNCE220CB - "GLASS DOOR" ELEC.SWITCH RELAY 30A	1	pc	1
F-FREEZER	E20A144F2D00	XR64CX-5W1T3 FLAT DIXELL THERMOSTAT (DX-X0LGZORXB5S0-S00)	1	pc	1
84	Z01CT12A0007	QRG 6-12 - RIGHT GLASS DOOR STOPPER - (S16)	1	pc	1
85	Z01CT72A0003	QRG 12 - LEFT GLASS DOOR STOPPER - (S16)	1	pc	1
90	S11CT80A0001	QRM/QNM 12 Ser. - ASSEMBLED FOAMED BODY - (S16)	1	pc	1
91	Z01CT22A0003	QRM/QNM 6 Ser. - RIGHT MIDDLE HINGE - (S16)	1	pc	1
92	Z01CT82A0002	QRM/QNM 12 Ser. - LEFT MIDDLE HINGE - (S16)	1	pc	1
93	S11CT22A0004	QRM/QNM 6-12 Ser. - RIGHT/LEFT MIDDLE HINGE PIVOT - (S16)	2	pc	1
94	S11CT22A0001	QRM/QNM 6-12 Ser. - RIGHT SPLIT DOOR (Inc.Gasket+Self.- S16)	2	pc	1
95	S11CT22A0005	QRM/QNM 6-12 Ser. - RIGHT LOCKING STOPPER+TAB - (S16)	1	pc	1
96	R01CT22A0002	QRM/QNM 6-12 Ser. - SPLIT DOOR GASKET - (S16)	4	pc	1
97	S11CT82A0001	QRM/QNM 12 Ser. - LEFT SIDE SPLIT DOOR (Inc.Gasket+Self-S16)	2	pc	1
98	S11CT82A0003	QRM/QNM 12 Ser. - LEFT LOCKING STOPPER+TAB - (S16)	1	pc	1